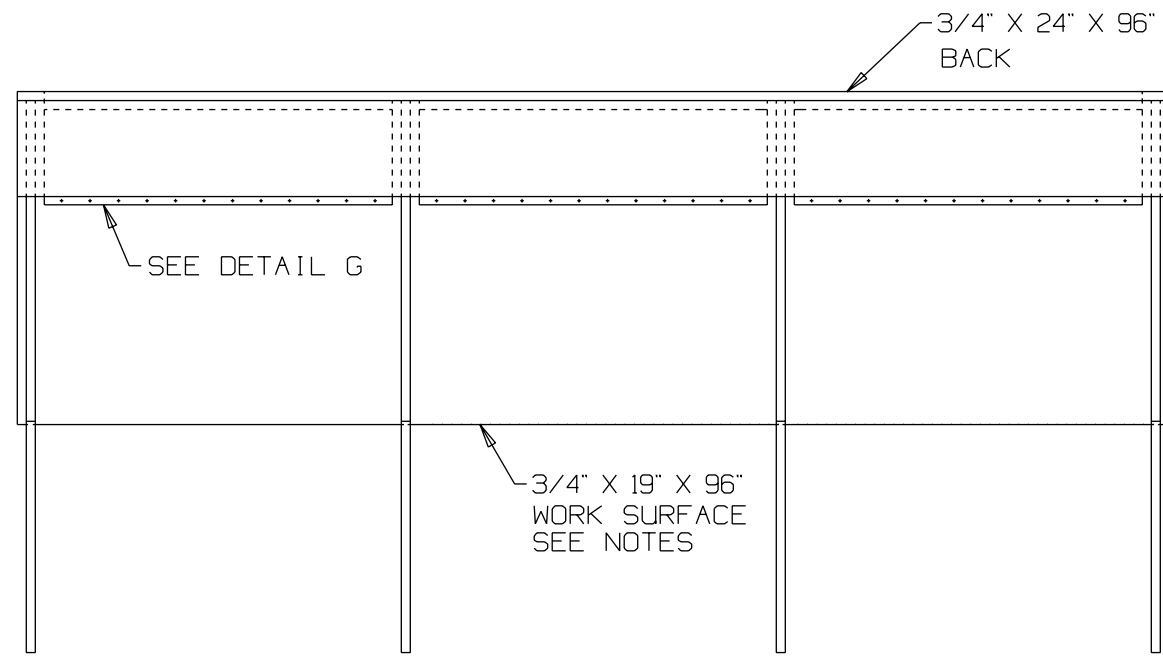


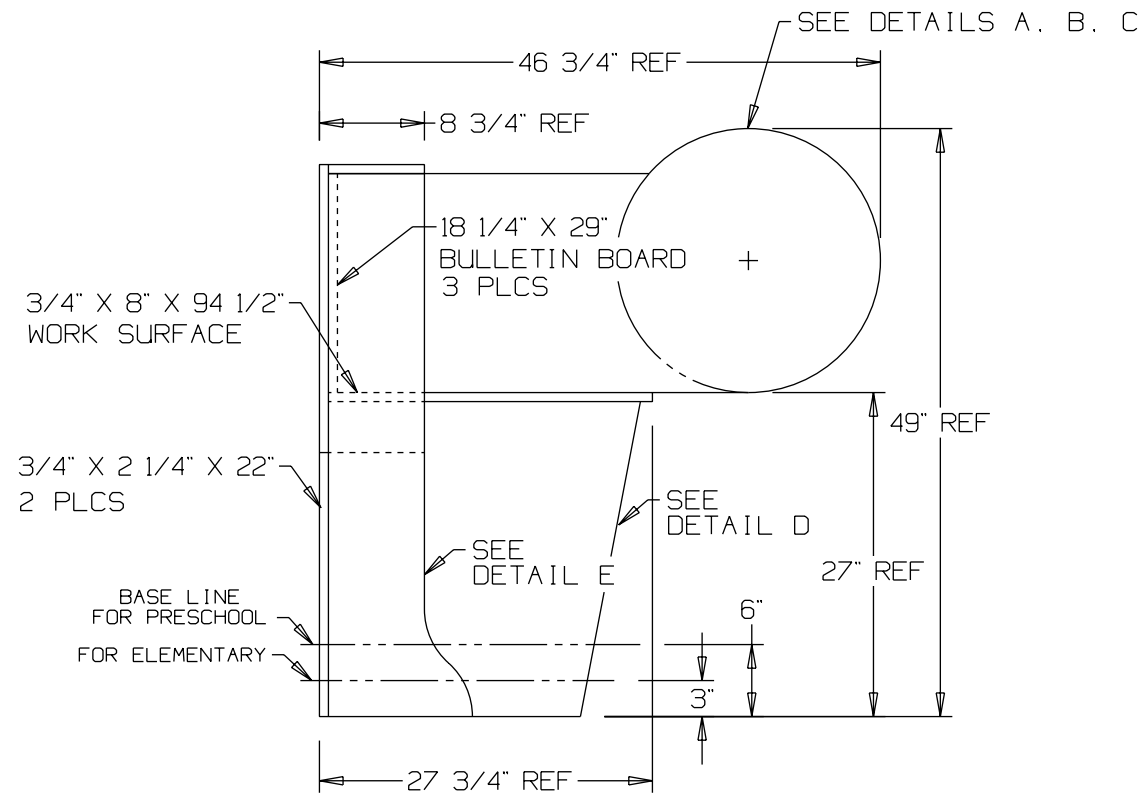
NOTES: UNLESS OTHERWISE SPECIFIED,
FASTEN ALL PARTS WITH
1 1/4" DRYWALL SCREWS

MULTIPURPOSE GLUE SUCH AS
LIQUID NAILS® MAY BE USED ON
ALL JOINTS IF OFFICE UNIT WILL
BE PERMANENT

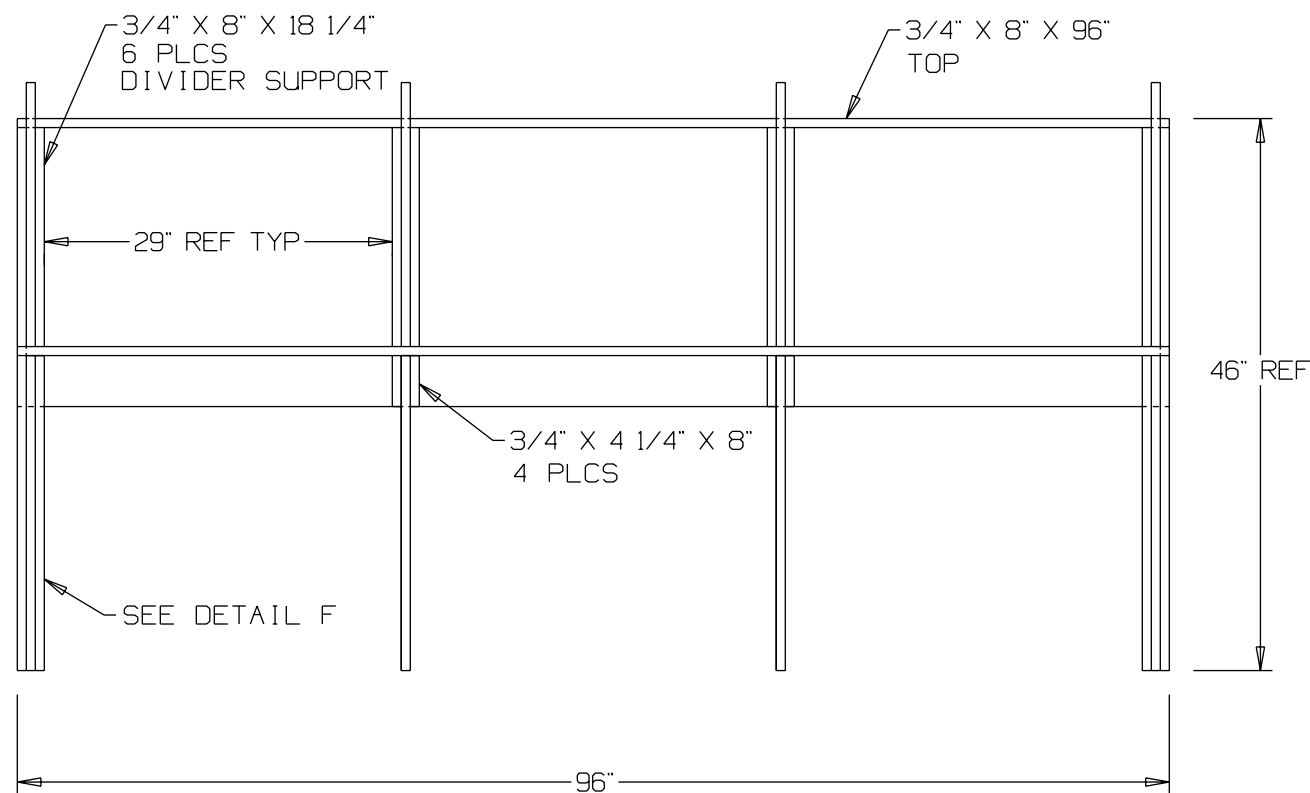
TO SECURE WORK SURFACE IN THE
CLOSED POSITION, USE HOOK AND EYE,
MAGNETIC LATCH, OR EQUIVALENT



TOP VIEW



SIDE VIEW



FRONT VIEW

© 1995 Accelerated Christian Education, Inc.
All rights reserved. Printed in the United States of America.
This publication may not be reproduced in whole or in part
in any form or by any means without permission from
Accelerated Christian Education, Inc.

ACCELERATED CHRISTIAN EDUCATION
OPTIONAL STUDENT OFFICE

DWG. NO. 0008	REV. 950421-0	SHEET 2 OF 4
------------------	------------------	-----------------